

Accurate Time & Frequency System

GPS/GNSS-Disciplined Rubidium

With optional anti-spoofing and Jamming capabilities

The **AR/AS76** is a multi-function GPS Disciplined Rubidium Atomic Clock, which provides accurate time & frequency. The AR/AS76 incorporates numerous features into a single box, including a Rubidium Frequency Standard, an internal C/A code 12 channels GPS receiver, and an input from external 1PPS / frequency.



Key Features

- Proprietary spoofing and jamming detection algorithm
- Frequency Accuracy : 1E-12
- 1PPS Accuracy: 20ns RMS
- Holdover: 1μs/24 hours, 5E-11/month
- 20 outputs (10MHz, 1PPS, TOD)
- LAN IPv4 (NTP V3, Monitor & Control, DHCP)
- External 1PPS / Frequency input for disciplining
- 12 channel C/A code GPS receiver
- Front Panel Display (Time, Date, BIT and more)
- Monitor & Control: RS232, UDP
- Supply Voltage: 90/260 VAC
- Delay Correction for Input & Output

Options

- Up to 3 channels LAN interface
- SNMP Monitor & Control (Custom MIB)
- IEEE 1588 / PTP Grandmaster
- DDS - Up to 30MHz, 32 bit resolution
- Supply Voltage: DC or DC&AC
- Graphic User Interface (GUI) Software for PC
- TOD Format: IRIG-B, NMEA, IRIG-A, NASA-36
- 72 channel multi GNSS receiver

Description

The **AR/AS76** receives a GNSS (GPS) signal from the antenna and performs an integrity test on the signal using a local Rubidium clock and other proprietary methods. If the AR/AS76A determines that the GNSS signal is unreliable (due to jamming, spoofing or any other malicious attacking), it sends a warning alarm and use timing derived from the local Rubidium clock operating in "Holdover" mode. This action allows continuous and uninterrupted timing and synchronization signals even in a GNSS denied or spoofed environment.

The various options of the unit include a variety of different frequencies and several Time Codes outputs. The Rubidium Standard functions as a local oscillator and is phase-locked to the GPS or to external inputs. All outputs are derived from the Rubidium Clock, which maintains accurate time and frequency when GPS or other inputs are interrupted.

The unit includes up to three physical LAN interfaces boards, which support UDP / SNMP for management and for NTP (Network Time Protocol). The three LAN boards can be used for three different networks (with three different IP network addresses), or for two networks where the 3rd LAN board is reserved as a redundant back-up. A Precision-Time Protocol (PTP) is available with one of the LAN board. The AR/AS76 provides multiple outputs: 10 coax outputs, two fixed (10MHz and 1PPS) and 8 configurable outputs which can be selected from 1PPS, 10MHz, and more.

Additional outputs are available on the D-Type connector including differential RS422 outputs, TOD (Time Of Day) outputs with several standard protocol like NMEA, IRIG B (DC) etc. and more. The unit is 19" x 1U rack-mountable encasement.

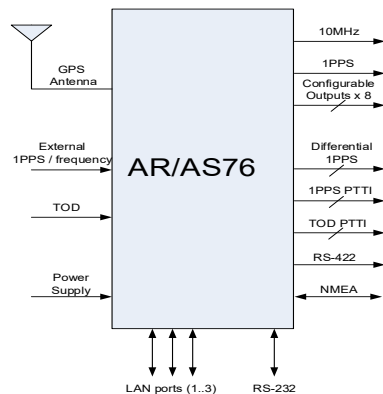
Applications

- Test Equipment
- Telecommunication
- Cellular Base Stations
- Scientific Equipment
- Secure Communication
- Mobile Radio Base Stations

All specs are @ 25°C, quiescent conditions at sea level ambient unless otherwise specified

Specifications

		Basic Configuration	Options (Contact factory for details)
Outputs	BNC Connectors	<ul style="list-style-type: none"> 5 x Sine Wave (10±2 dBm) 5 x 1PPS (TTL/50Ω) <p>The user can set other outputs configurations (see S/W ICD)</p>	<p>Other combinations of the following signals are available upon request:</p> <p>Frequency: 1MHz, 5MHz, 2.048MHz (sine or square) and others</p> <p>DDS frequency: 1KHz – 30MHz</p> <p>TOD: IRIG B (additional formats are also available), Have Quick, NMEA</p>
	44 pins D Type Connector		<p>Other combinations of the following signals are available upon request :</p> <p>Frequency: 1MHz, 5MHz, 2.048MHz (sine or square) and more other frequencies</p> <p>DDS frequency: 1KHz – 30MHz</p> <p>TOD: NMEA</p> <ul style="list-style-type: none"> 4 x 1PPS (RS-422) 2 x 10MHz (RS-422) 4 x 1PPS (ICD-GPS-060) 5 x TOD ICD-GPS-060 -Have Quick H/W BIT (open collector)
Inputs	BNC Connector	<p>For Time and Frequency Disciplining:</p> <ul style="list-style-type: none"> 1PPS (TTL/50Ω or ICD-GPS-060) 10MHz 	<p>Frequency: 1MHz, 2.048MHz, 5MHz and more</p> <p>TOD: IRIG B (more formats are available as well)</p> <ul style="list-style-type: none"> ICD-GPS-060 -Have Quick
	44 pin D Type Connector		TOD: NMEA
LAN		<ul style="list-style-type: none"> IPv4 NTP server V3 per RFC1305 ≤ 1ms, each LAN board can support up to 1100 NTP requests per second DHCP Control & Monitoring (UDP) 	<ul style="list-style-type: none"> IEEE 1588 / PTP – Grandmaster / slave (one output) Up to 3 independent LAN ports (3 NTP servers or 2 NTP servers and one PTP) Each one has a different IP address serving three separates networks SNMP V3 (Custom MIB)
CLI		RS-232 port (single ended or RS-422) remote control	



All specs are @ 25°C, quiescent conditions at sea level ambient unless otherwise specified

Performance			
Mode of work		Standard	Improved (option)
Time (1PPS)	1PPS accuracy (Disciplined to GPS)	30ns RMS between two similar systems	≤ 10ns RMS (typical 6ns RMS) between two similar systems
	Free running Rubidium	≤ 1 μs / 24 hours (typical) After 24 hours of disciplining	
Frequency	Frequency Accuracy	≤ 1E-12 (Disciplined to GPS or to external 1PPS)	
	Long Term Stability (Free running Rubidium)	≤ 1E-10 / month	≤ 5E-11 / month
	Short Term Stability (ADEV)	≤ 3E-11 @ 1s ≤ 5E-12 @ 100s	≤ 1E-11 @ 1s ≤ 5E-12 @ 100s
	Temperature Stability	±3E-10 over -20°C to +65°C	
	Phase Noise (@ 10MHz)	≤ -80dBc/Hz @ 1Hz ≤ -114dBc/Hz @ 10Hz ≤ -140dBc/Hz @ 100Hz ≤ -146dBc/Hz @ 1KHz ≤ -147dBc/Hz @ 10KHz	≤ -125dBc/Hz @ 10Hz ≤ -150dBc/Hz @ 100Hz ≤ -155dBc/Hz @ 1KHz ≤ -160dBc/Hz @ 10KHz
	Harmonics (10MHz)	≤ -48dBc	
	Spurious (10MHz)	≤ -100dBc @ ± 100KHz	
Warm-up time	Rubidium Lock < 4 minutes 5E-11 within < 60 minutes 1E-11 within < 4 hrs 1E-12 within < 24 hrs		

GPS C(A) Code Receiver	
GPS Tracking	L1 frequency 1575 MHz C/A code (SPS), 12 parallel tracking channels
Ephemeris & Almanac	Available on 44 pin D Type connector (option)
Position Accuracy	Latitude, Longitude: < 6m (CEP 50%), Altitude: < 11m (CEP 50%)
GPS signal gain at antenna input (**)	23dB-35dB
GPS Antenna DC Voltage	5VDC (up to 100 mA)

(**) The gain at antenna input with respect to open sky reception.

Environmental	
Operating Temperature	-20°C to +65 °C
Storage Temperature	-20°C to +70°C
Humidity	Up to 95% at 35°C, non-condensing
Vibration (Transportation)	2.5g RMS

All specs are @ 25°C, quiescent conditions at sea level ambient unless otherwise specified

Safety

Safety Standard	CE (safety)
------------------------	-------------

Power Supply

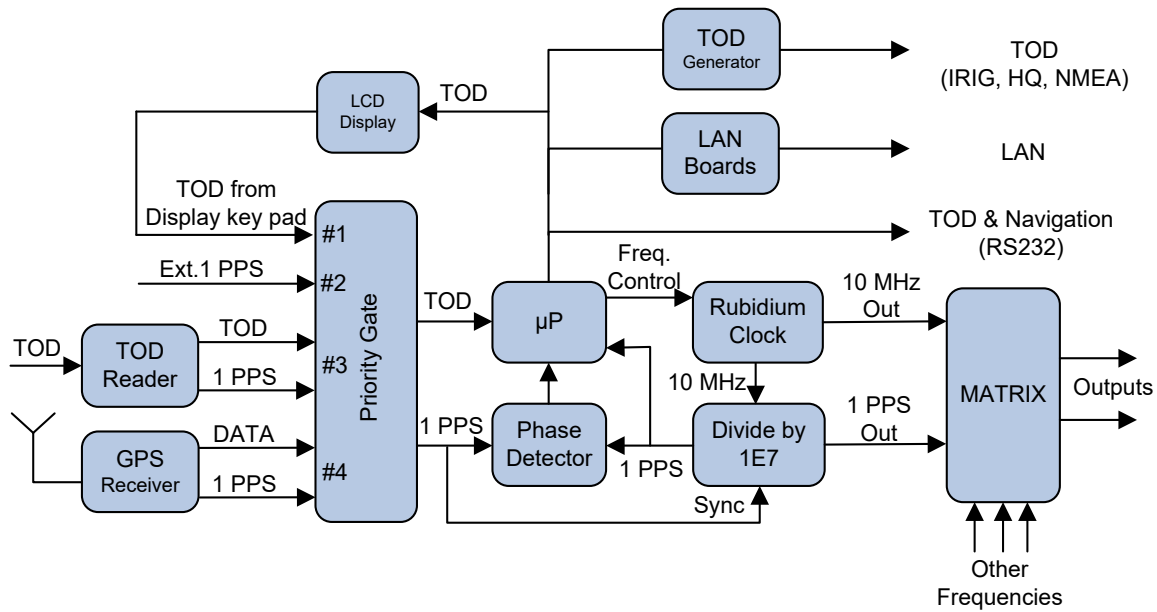
Power Supply	90-260 VAC 47/63 Hz (Option: DC power supply 28VDC± 4V, -48VDC)
Power Consumption	< 35W Warm-up , < 20W Steady state
Power Supply Redundancy (option)	Options for power supply redundancy: 1. Two power supply inputs – one for AC and the other for DC 2. Two DC power supply inputs

Front panel display & indications and GUI

Display	<p>The LCD front panel display and buttons enable the user to view and configure most parameters. The displayed information includes the Time, Date, BIT, GPS parameters (antenna current, satellite status) and more. Configured parameters include time synchronizations source, 1PPS delay, outputs configuration and more. For details see user manual or contact factory.</p> <p>Florescent display is available as an option (instead of the LCD display).</p>	
LED Indications	4 LEDs on the front panel: Power, Overall BIT, TOD Source, 1PPS / FREQ Source	
Graphic User Interface (GUI) – option (The GUI is software for PC used for maintenance and as a starter kit)	<ul style="list-style-type: none"> ○ Time / date display ○ Satellites in view ○ Navigation data from GPS and ○ BIT (Built In Test) ○ Time source & Time zone ○ Leap seconds (from UTC to GPS) 	<ul style="list-style-type: none"> ○ IP address configuration ○ Antenna cable delay ○ External input and 1PPS output delay ○ Matrix configuration ○ Time setting GPS / UTC ○ Additional parameters

Principles of Operation

The following block diagram describes the operation of the AR/AS76. The unit includes Rubidium Clock and accepts inputs from either internal GPS receiver or external 1PPS & TOD sources. All outputs are derived from the internal Rubidium Clock, which is phase-locked via a digital PLL to the internal GPS receiver or to one of the external inputs. This way, the Rubidium Clock follows the GPS long term accuracy and cleans the jitter and the noise on the short and medium terms. When the GPS reception is lost, for short or long periods of time, the Rubidium continues to maintain accurate time and frequency.

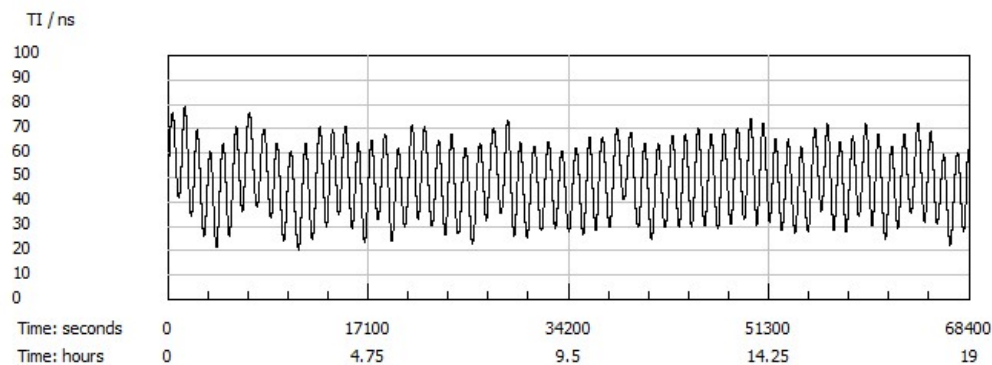
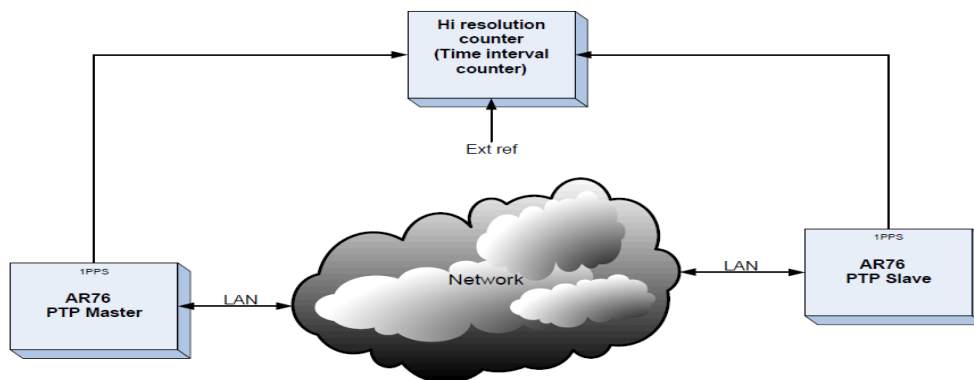


Precision Time Protocol – PTP (option)

- IEEE-1588-2008 V2 PTP Grandmaster/Slave
- Multicast / Unicast modes of operation
- UDP/IPv4 (L2 or L3)
- Design to handle up to 200 slaves simultaneously
- Accuracy: $\leq 1\mu\text{s}$ (network dependency)

In the following figure, two AR/AS76 units are interconnected via a network (one as a master and one as a slave). The time interval between the two 1PPS outputs was measured over time and the results are shown in the plot below.

PTP performance measurement setup



Time accuracy < 50ns RMS

(measured on low traffic, symmetrical path network and low number of users)

AR/AS76 GUI

Time report screen

The Time report screen displays the following information:

- General BIT:** COM3, 19200, None, File Description, Enable Time Stamp, PC Time Stamp, Save.
- Time Data:** Day: 338, Time: 09:11:39.00, Date: 03/12/2012, Time mode: UTC, TFOM: 0, GPS offset: 16.
- Time Source:** GPS, Sync. Source: GPS, Last Time Source: Hold over, Last Sync. Source: Hold over, Selected Time Source: Auto, Selected Sync. Source: Auto.
- Status Indicators:** GPS Input (Green), Ext. TOD (Red), Ext. 1PPS 1 (Red), 1PPS IRIG B (Red), Ext. 1PPS 2 (Red), 1PPS PTP (Red), Ext. CLI (Red), Ext. Freq. (Red), Ext. NMEA (Grey), Ext. PTP (Grey).
- Positioning Data:** Num of sat: 11, Quality Indicator: C/A type, Latitude: 31.48.1005N, Longitude: 035.12.6847E, Altitude: +771.3, Altitude Type: MSL.
- Time Error:** Time Error Source: N.A., Time Error: 09:11:39.00.

BIT Report screen

The BIT Report screen displays the following information:

- BIT Report Table:**

GPS Input	Ext. TOD	RTC Time	A9_1 Status	2.5V
Ext. 1PPS 1	IRIG B 1PPS	A2 Status	A9_2 Status	5V
Ext. 1PPS 2	Ext. NMEA	A3 Status	A9_3 Status	15V
PTP 1PPS	Ext. CLI	A5 Status	A12 Status	Antenna Status
Ext. Freq.	PTP Time	A7 Status	1.2V	Antenna Current
- Time & Date:** 13:50:00, 15/05/2011, Read Parameters, File Reading, Quality indicator (Good).
- Table of content BIT:** No message, No applicable, Un available, Fail, Good.
- Setup Report:** Time Source: Auto, 1PPS Source: Auto, Time Mode: UTC, Antenna Delay: 0, Ext. 1PPS 1 Delay: 0, Ext. 1PPS 2 Delay: 0, GPS offset: 16, Leap second: No event, GPS Type: GB-GRAM, Set Altitude: MSL, Time Zone: 00:00, IRIG B 1PPS Delay: 0, PTP 1PPS Delay: 0, Output Delay: 0, TFOM Threshold: 1, Time Source Type: Input TOD, NTP Mode: UTC Time, Time interval: 0, A9_1: 00:00:00, A9_2: 00:00:00, A9_3: 00:00:00, Display mode: ON, Display Timeout: 60, CLI Time interval: 1, Time interval: 0, DDS Freq: 100000000.000000, DDS Factor: 1, DDC Enabled: No.

Electrical ICD		
Connector	Description	Standard Configuration
J1	Power supply	AC, Standard Inlet (IEC320)
J2	GPS antenna	TNC, Female
J3 – J5	LAN	RJ-45
J6	CLI	D9, Female
J7	Additional I/O	D type, 44 pin, Female
J8 – J17	Coax outputs	BNC, Female
J18 - J19	Inputs	BNC, Female

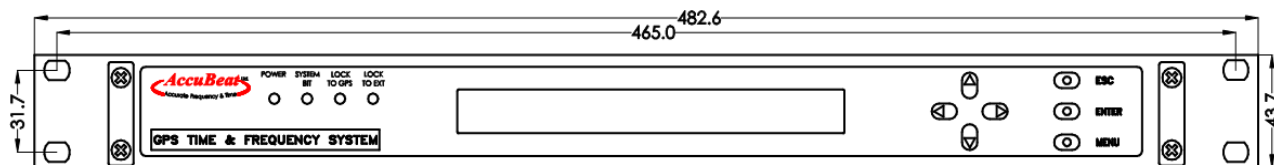
J6 – RS-232 communication to PC - 9 pin D type connector signals:		
Pin Number	Function	
2	CLI-Tx (to PC)	RS-232, 19,200 baud rate, 1,8,1 no parity (default)
3	CLI-Rx (from PC)	
5	GND	
1, 4, 6, 7, 8, 9	Not used	

J7 – Auxiliary Time, Frequency, communication and miscellaneous - 44 pin D type connector signals:

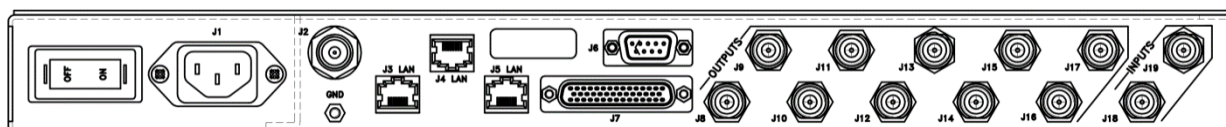
With this connector the customer can get additional outputs such as: 1PPS, 10PPS (and more, TTL or RS-422), additional square-wave frequencies (TTL or RS-422), TOD (Time of Day) in NMEA or IRIG B (DC) or other formats, CLI communication in RS-422 and Overall BIT indication. Please note that in the table below, outputs of pins 6 – 13, 16 – 19, 26 – 30 and 32 – 35 are offered as an option.

Pin #	Function	Pin #	Function
1	CLI_IN RS422+	23	GND
2	CLI_IN RS422-	24	FACTORY USE (Lock signal)
3	CLI_OUT RS422+	25	GND
4	CLI_OUT RS422-	26	TOD #1 (TTL / 100kohm)
5	GND	27	TOD #2 (TTL / 100kohm)
6	X_PPS_RS422+ output (#1)	28	TOD #3 (TTL / 100kohm)
7	X_PPS_RS422- output (#1)	29	TOD #4 (TTL / 100kohm)
8	Y_PPS_RS422+ output (#2)	30	TOD #5 (TTL / 100kohm)
9	Y_PPS_RS422- output (#2)	31	GND
10	Z_PPS_RS422+ output (#3)	32	1PPS #1 (TTL / 50ohm) output
11	Z_PPS_RS422- output (#3)	33	1PPS #2 (TTL / 50ohm) output
12	W_PPS_RS422+ output (#4)	34	1PPS #3 (TTL / 50ohm) output
13	W_PPS_RS422- output (#4)	35	1PPS #4 (TTL / 50ohm) output
14	GND	36	Over all BIT (open collector), < 100mA Low = OK, High impedance = fail
15	5.5V (internal 300Ω series resistor)	37	GND
16	AUX Frequency RS422 OUT+ (#1) Default: 10MHz	38	FACTORY USE
17	AUX Frequency RS422 OUT - (#1) Default: 10MHz	39	
18	AUX Frequency RS422 OUT + (#2) Default: 10MHz	40	
19	AUX Frequency RS422 OUT - (#2) Default: 10MHz	41	
20	GND	42	
21	NMEA_RxD_RS-232	43	
22	NMEA_TxD_RS-232	44	

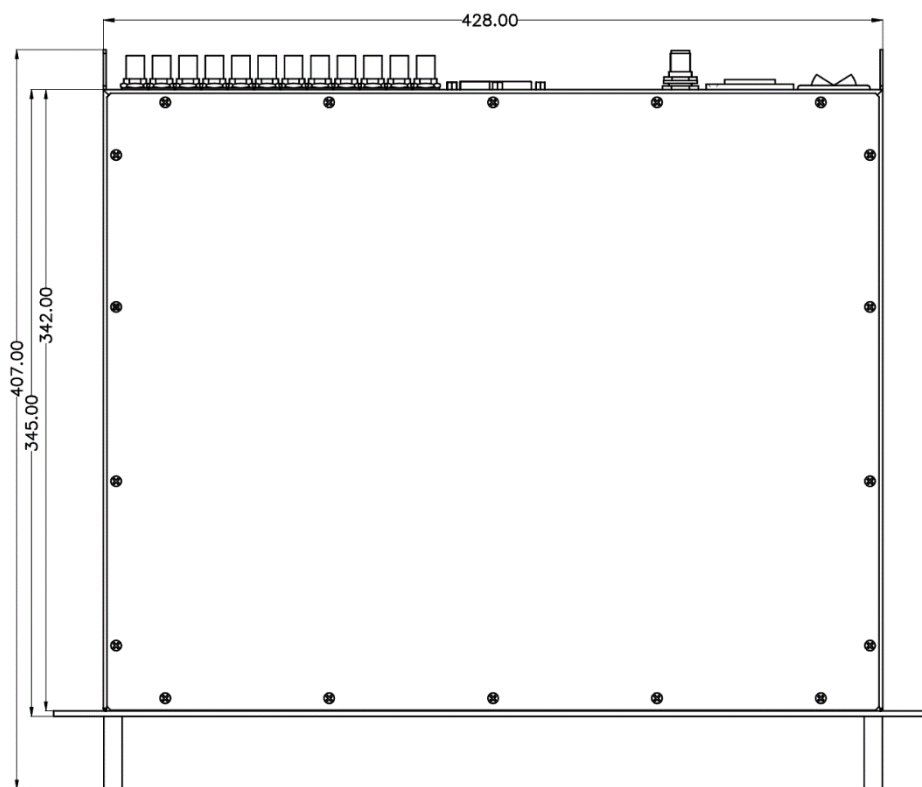
Mechanical ICD



Front panel



Rear panel

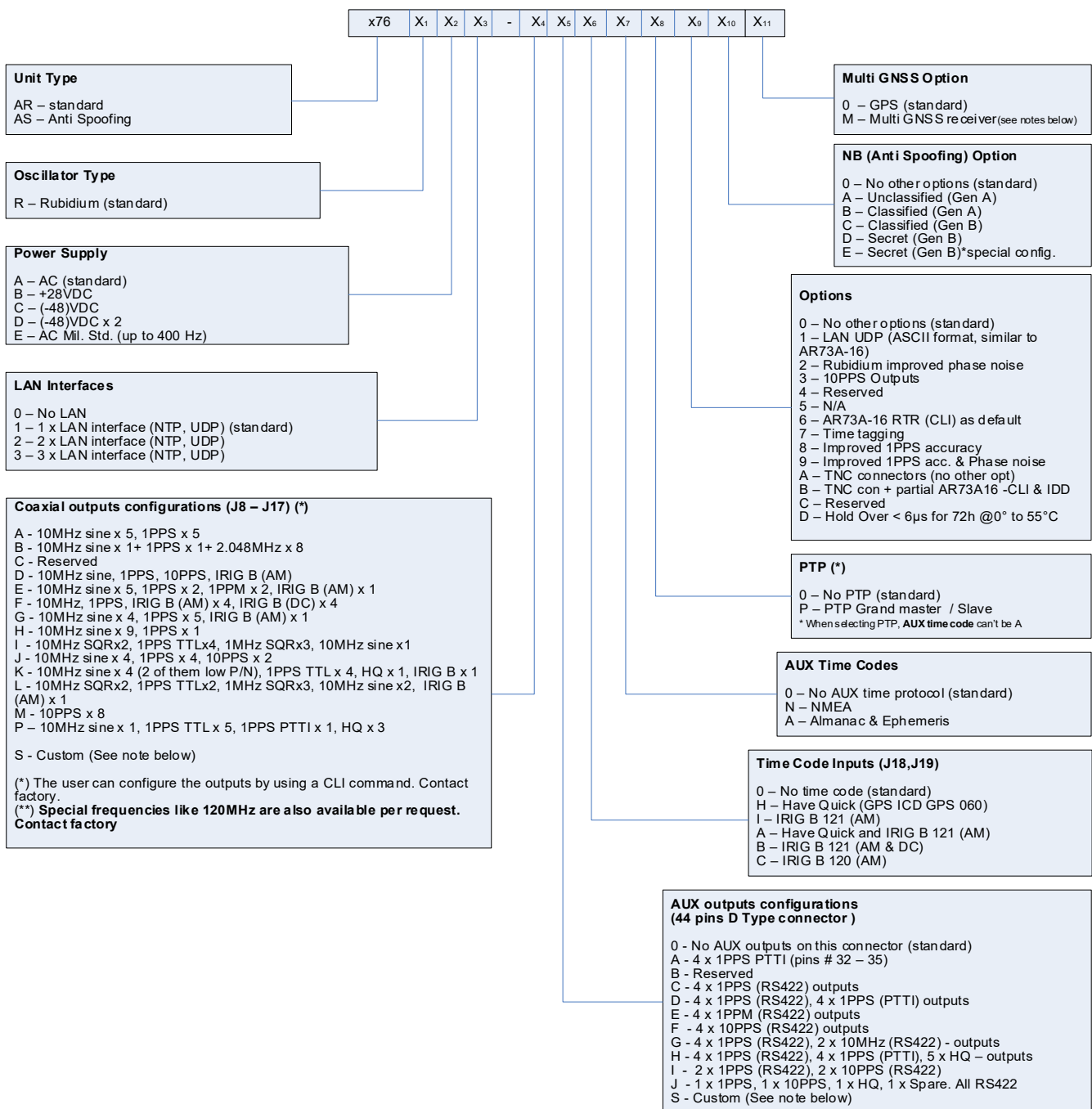


HOW TO ORDER:

AccuBeat recommends the following operation configuration:

1. Time & Sync. source : GPS (See 'STS' & 'SPS' CLI commands).
2. AccuBeat GPS anti-spoofing suit ("Narrow Bell").
3. AccuBeat calibration suitcase for GPS denied environment.

For other operation configurations please contact factory in order to verify proper operation.



Notes:

1. "S" - Customized special configuration & frequency (the final part number will be define before PO)
2. Multi GNSS support GPS, GLONAS, GALILEO and BEIDU constellation.
3. For AS76RB2-SCA0PBD0 coaxial output configuration "S" is for configuring 100Hz/200Hz/400Hz outputs.

AccuBeat Ltd, 5 Ha'Marpeh St., Har Hotzvim, P.O.Box 45012, Jerusalem 91450, Israel
Tel: +972-2-5868330, Fax: +972-2-5868550, E-Mail: marketing@accubeat.com
<http://www.accubeat.com>